

SPORTS FLOORS

[701] LAYING TECHNIQUES FOR STUCK DOWN FOR TARAFLEX® SPORTS FLOORING

■ 1 - MATERIALS

Differences of width (tolerances) may exist between the rolls..

■ 2 - UNROLLING OF THE MATERIAL

Minimum ambient temperature for laying : must be in accordance with the local standard.

- Strike marking line on the subfloor representing the transverse axis of the sports hall in line with the anchor points and another representing the LONGITUDINAL axis.

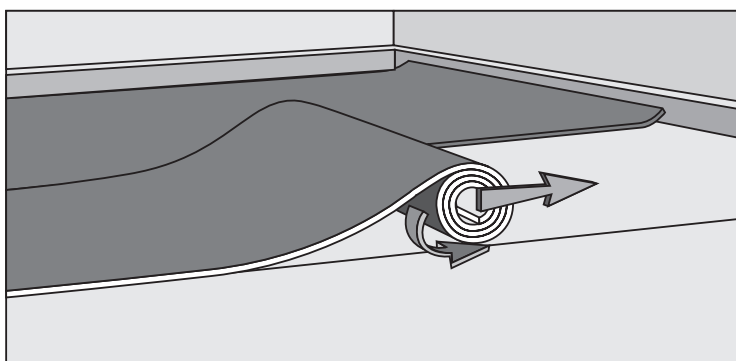
- Unroll and lay out the rolls for 24 hours ALONG THE LENGTH OF THE SPORTS HALL or in accordance with a floor

■ 3 - POSITIONING THE FLOORING

Position the lengths in the direction of the longitudinal axis by leaving a 1 mm overlap between each length.

CAUTION: the lengths should be unrolled starting in the centre of the sports hall.

1	2
3	4
5	6
7	8
9	10



■ 4 - STICKING-DOWN

- This is done 24 hours after having unrolled and laid out the lengths.
- The application is be done by priming and using acrylic emulsifying adhesives with a finely toothed spatula or trowel A2 Norm TKB or 1/16" x 1/16" x 1/16" square notch (1.6 mm x 1.6 mm x 1.6 mm). Coverage rate is 300 to 350 gr/sqm or 125 - 185 sq. ft. per US gallon, (3.06 - 4.53 m2 per liter). To achieve this coverage, it is necessary to change the spatula regularly.

IMPORTANT:

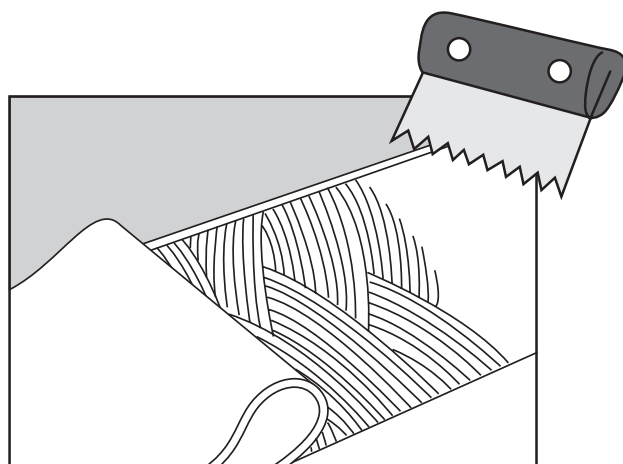
- Forbid any trafficking for 48 hours after laying as well as any furniture movement.
- Follow carefully the recommendations of the adhesive manufacturer.

Recommendations for good adhesion:

Respect the waiting time (open time) which depends on the temperature, ambient hygrometry, porosity of the subfloor and the adhesive coverage. If the flooring is applied to adhesive with insufficient waiting time, it will bubble.

If the flooring is applied to adhesive which has gone past its open time, there will be insufficient adhesive transfer to the underside of the floor finish.

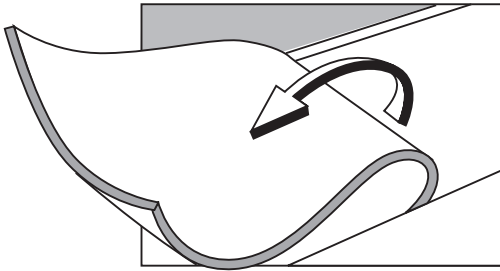
When using Polyurethane adhesive, refer to the laying method for "waterproof membrane" or Dry-TEX process.



[701] LAYING TECHNIQUES FOR STUCK DOWN FOR TARAFLEX® SPORTS FLOORING

4.1 - Laying the lengths

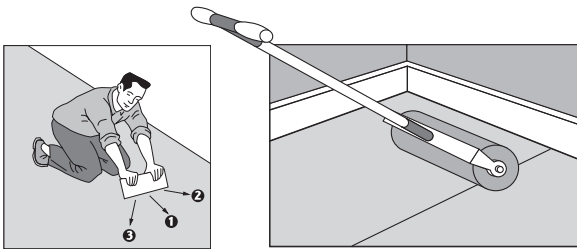
- To stick-down, fold the lengths back halfway (see diag). Start laying with the length halves in the centre of the hall located on each side of the first strike line.
- Fold back the second halves and proceed in the same way; then apply the following lengths edge-to-edge without leaving a gap and continue in the same way finishing up at walls.



6.2 - Rolling

It is essential and carried out in two stages:

- Manual rolling to position lengths.
- Final rolling of the whole surface with a flooring roller.



4.3 - Hot welding (12 hours after sticking-down)

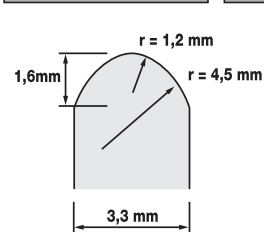
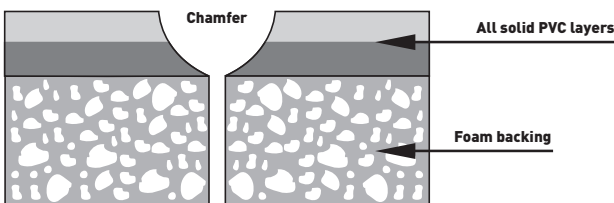
4.3.1 - Chamfering

Chamfering allows the joint to be opened and corrected, to remove any traces of adhesive that may impair the quality of the weld. There are two chamfering methods:

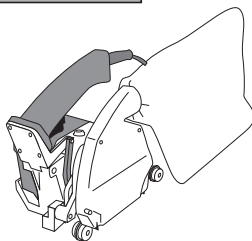
- Manual using an appropriate tool (triangle, rule),
- Mechanical using an electric chamfering machine fitted with a 3.3 to 3.5 mm tool.

The entire thickness of the wear layer must be chamfered, but not the foam underlay.

(Special case: For the TARAFLEX® SURFACE, chamfer the wear layer less 0.3 mm).



Profil of a circular saw blade

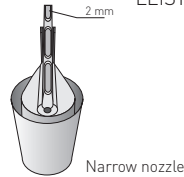


Groover or router

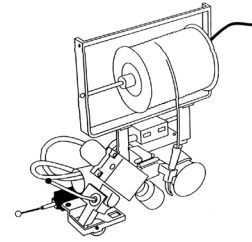
4.3.2 - Automatic welding

Welding is carried out using a LEISTER UNIVERSAL or UNIFLOOR hot air welding machine with electronically controlled heating, fitted with a narrow multi-outlet nozzle designed for this purpose.

Nozzle codes: JANSER : 225 860 040
LEISTER : 105 407



Narrow nozzle

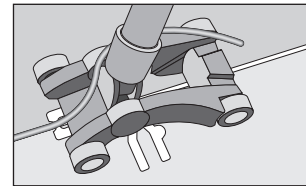
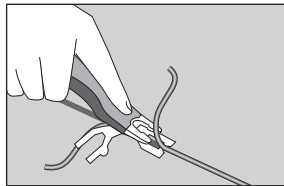


4.3.3 - Trimming weld rod

- Using a MOZART knife: rotate the levelling guide to 90° on the side. Level the welding cord after it has cooled down.

TOOLS	GERFLOR CODE
MOZART knife	0561 0001
Spare blades	0542 0001

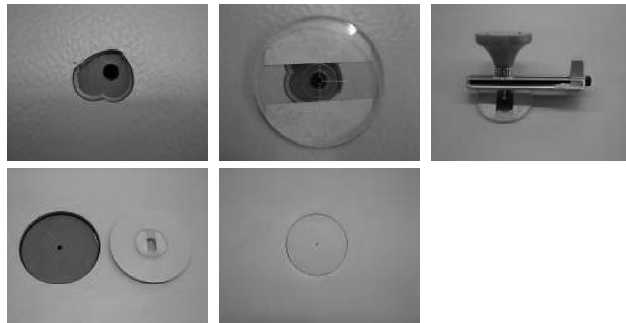
- With a joint plane: rotate the levelling guide to 90° on the side. Level the welding cord after it has cooled down. *Tool available with Janser or Romus.*



4.3.4 - Anchor points

There are accessories for a meticulous finish around the reserved allowances:

- Circular cutter equipped with a cutting centre finder. (Ref.: 262 262 500 - JANSER)



IMPORTANT: commissioning deadlines::

- For normal pedestrian traffic, commissioning takes place 24 hours at least after completion of the work.
 - For the installation of sports equipment and the traffic of rolling loads it is necessary to wait 72 hours.
 - It is necessary to distribute the static and dynamic loads when setting up in the table tennis table room folded or open, referee tables, or use of carts solid storage, removable basketball boards, approved equipment, elevating platforms, forklifts, utilities...
- The raceways and distribution plates must be dimensioned and positioned according to the loads. See [803] STATIC AND DYNAMIC LOAD. Do not use furniture with rubber feet .

IMPORTANT: GERFLOR is at your entire disposal for any further information you might need concerning their floorings.